

# Plastic flange HSI 150-DFK

with integrated spirit level  
for retrofit dowelling

**NEW**  
by Hauff-Technik

Article code.:  
HSI 150-DFK

## Features and technical data:

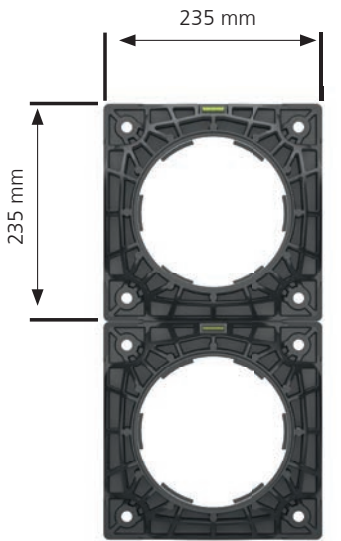
- with integrated spirit level
- flange made of glass fibre reinforced polyamide
- high force absorption due to high performance plastic
- max. stability thanks to reinforcing ribs
- form-closed surface seal made of EPDM
- fastening elements inclusive sealing rings against water ingress
- fastening elements made of stainless steel V4A (AISI 316L)
- sea water resistant
- gas- and watertight up to 2,5 bar

For retrofit dowelling using core drills or for screwing onto housing. Facilitates gastight and watertight connection of system seals for cables and cable ducts.

# Plastic flange HSI 150-DFK

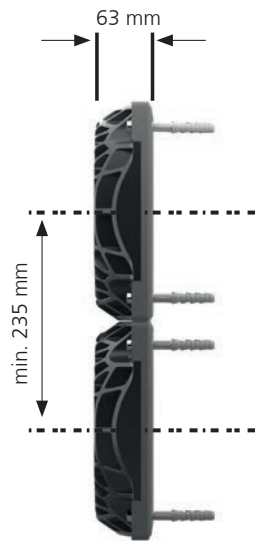
## Graphics

Plastic flange HSI 150-DFK



core drilling max. Ø 150 mm

Sectional drawing spacing dimensions



### Dimensions

length x width: 235 x 235 mm  
 recommended centre distance for core drills: 250 mm  
 core drills max. Ø: 150 mm

### Accessories (not included in scope of delivery)



**Sikaflex-11 FC**  
 Elastic sealant for a safe sealing especially on rough surfaces.